

Product data sheet

Specifications



safety dc discrete input module - 16 inputs - 24 V DC

140SDI95300S

! Discontinued on: 31 December 2021

! To be end-of-service on: 31 December 2029

! Discontinued - Service only

Main

Range of product	Modicon Quantum automation platform
Product or component type	Safety dc discrete input module

Complementary

Discrete input number	16
Group of channels	1
Logic input	Positive (sink)
Discrete input voltage	24 V DC
Voltage state 1 guaranteed	11...30 V DC
Voltage state 0 guaranteed	-3...5 V DC
Current state 1 guaranteed	≥ 3 mA
Current state 0 guaranteed	≤ 1.5 mA
Sensor power supply	19.2...30 V
Addressing requirement	7 input words
Input impedance	3675 Ohm
Absolute maximum input	30 V
Response time	≤ 25 ms from state 0 to state 1 ≤ 25 ms from state 1 to state 0
Protection type	By internal rectifier
Associated fuse rating	1 A, fast blow
Power dissipation	2.75 W + (0.25 x number of points on)
Isolation between group and bus	1500 Vrms for 1 minute
Checks	Diagnostic of internal channel fault System failure Broken wire detection
Local signalling	1 LED (green) for bus communication is present (Active) 1 LED (red) for external fault detected (F) 16 LEDs (green) for input status 16 LEDs (red) for system failure, diagnostic of internal channel fault
Marking	CE
Bus current requirement	550 mA

Environment

Product certifications	CSA UL TÜV Rheinland (SIL2) CSA HazLoc
------------------------	---

Packing Units

Unit Type of Package 1	PCE
Number of Units in Package 1	1
Package 1 Weight	500.0 g
Package 1 Height	4.8 cm
Package 1 width	16.3 cm
Package 1 Length	31.2 cm
Unit Type of Package 2	S03
Number of Units in Package 2	7
Package 2 Weight	3.99 kg
Package 2 Height	30 cm
Package 2 width	30 cm
Package 2 Length	40 cm

Offer Sustainability

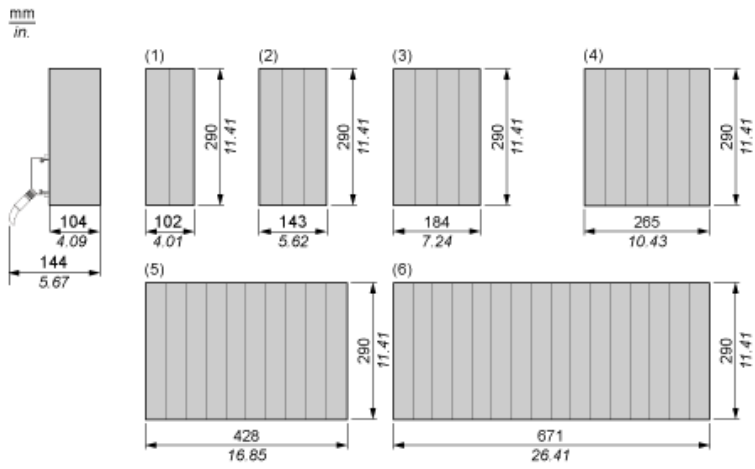
Sustainable offer status	Green Premium product
REACH free of SVHC	Yes
EU RoHS Directive	Pro-active compliance (Product out of EU RoHS legal scope) EU RoHS Declaration
Mercury free	Yes
RoHS exemption information	Yes
China RoHS Regulation	China RoHS declaration
Environmental Disclosure	Product Environmental Profile
Circularity Profile	End of Life Information
WEEE	The product must be disposed on European Union markets following specific waste collection and never end up in rubbish bins
California proposition 65	WARNING: This product can expose you to chemicals including: Lead and lead compounds, which is known to the State of California to cause cancer and birth defects or other reproductive harm. For more information go to www.P65Warnings.ca.gov

Contractual warranty

Warranty	18 months
----------	-----------

Racks for Modules Mounting

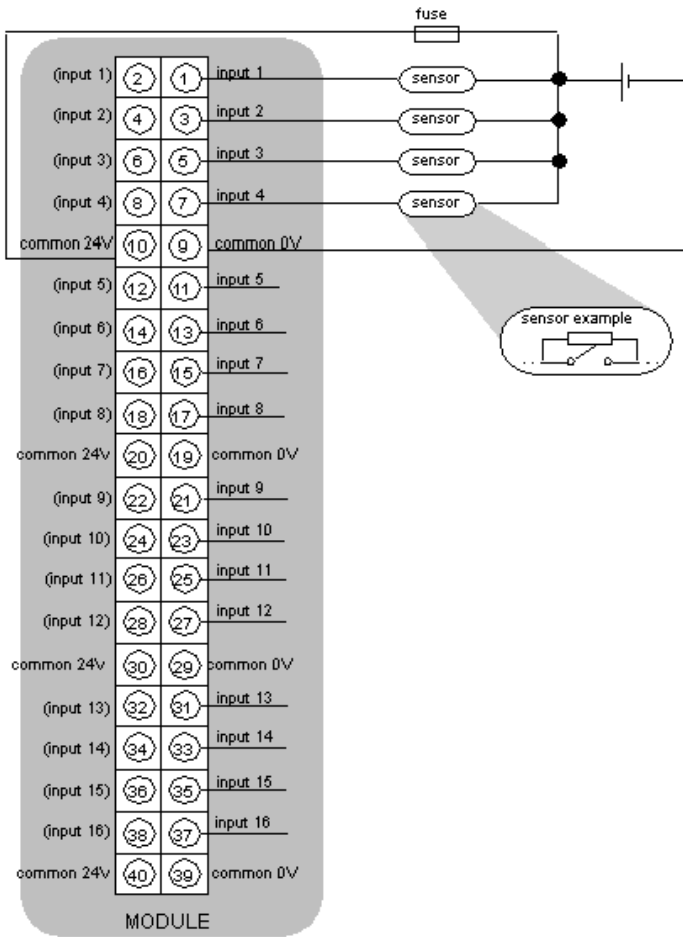
Dimensions of Modules and Racks



- (1) 2 slots
- (2) 3 slots
- (3) 4 slots
- (4) 6 slots
- (5) 10 slots
- (6) 16 slots

24 Vdc 16-Channel Digital Input Module

Wiring Diagram



fuse: 1 A fast blow
pull-up resistor (in sensor example):

NOTE: There is only one group of 16 inputs. All common 24 V are internally connected and all common 0 V are also internally connected. The two pins of a same input (e. g: pin 1 and 2 for input 1) are internally connected too so that you can use either the right pin or the left one.

Recommended replacement(s)

140SDI95300S is replaced by the following product range:



Modicon X80 modules

The common platform of modules for Modicon M580 and M340 PACs

Products: 218