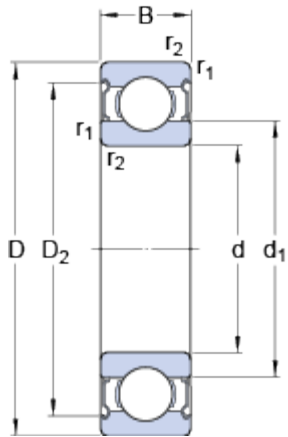


6209-2Z

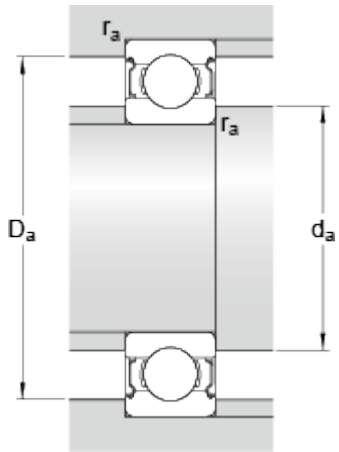
Popular item
SKF Explorer

Dimensions



d	45	mm
D	85	mm
B	19	mm
d ₁	≈ 57.6	mm
D ₂	≈ 75.19	mm
r _{1,2}	min. 1.1	mm

Abutment dimensions



d _a	min. 52	mm
d _a	max. 57.5	mm
D _a	max. 78	mm
r _a	max. 1	mm

Calculation data

Basic dynamic load rating	C	35.1	kN
Basic static load rating	C ₀	21.6	kN
Fatigue load limit	P _u	0.92	kN
Reference speed		17000	r/min
Limiting speed		8500	r/min
Calculation factor	k _r	0.025	
Calculation factor	f ₀	14.2	

Mass

Mass bearing	0.43	kg
--------------	------	----