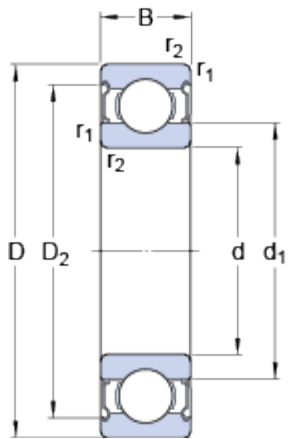


# 6207-2Z

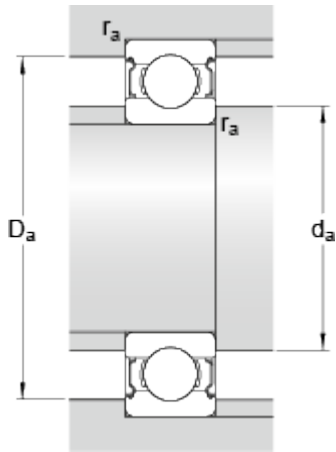
Popular item  
SKF Explorer

## Dimensions



d	35	mm
D	72	mm
B	17	mm
d <sub>1</sub>	≈ 46.94	mm
D <sub>2</sub>	≈ 62.69	mm
r <sub>1,2</sub>	min. 1.1	mm

## Abutment dimensions



d <sub>a</sub>	min. 42	mm
d <sub>a</sub>	max. 46.8	mm
D <sub>a</sub>	max. 65	mm
r <sub>a</sub>	max. 1	mm

## Calculation data

Basic dynamic load rating	C	27	kN
Basic static load rating	C <sub>0</sub>	15.3	kN
Fatigue load limit	P <sub>u</sub>	0.655	kN
Reference speed		20000	r/min
Limiting speed		10000	r/min
Calculation factor	k <sub>r</sub>	0.025	
Calculation factor	f <sub>0</sub>	13.8	

## Mass

Mass bearing		0.3	kg
--------------	--	-----	----