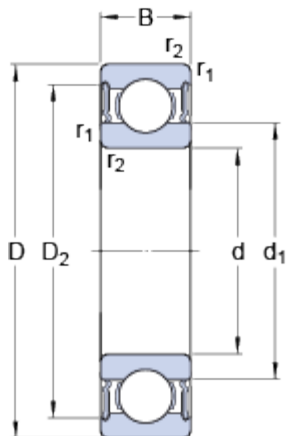


# 61804-2RS1

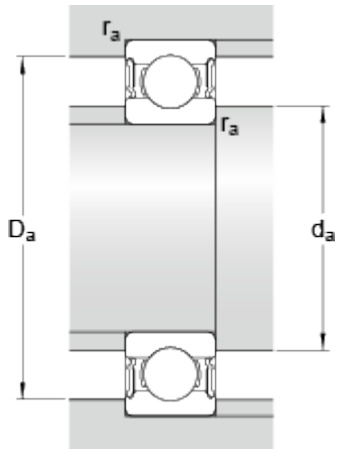
Popular item

## Dimensions



d	20	mm
D	32	mm
B	7	mm
d <sub>1</sub>	≈ 23.85	mm
D <sub>2</sub>	≈ 29.4	mm
r <sub>1,2</sub>	min. 0.6	mm

## Abutment dimensions



d <sub>a</sub>	min. 22	mm
d <sub>a</sub>	max. 23.6	mm
D <sub>a</sub>	max. 30	mm
r <sub>a</sub>	max. 0.3	mm

## Calculation data

Basic dynamic load rating	C	4.03	kN
Basic static load rating	C <sub>0</sub>	2.32	kN
Fatigue load limit	P <sub>u</sub>	0.104	kN
Limiting speed		13000	r/min
Calculation factor	k <sub>r</sub>	0.015	
Calculation factor	f <sub>0</sub>	14.5	

## Mass

Mass bearing		0.018	kg
--------------	--	-------	----