

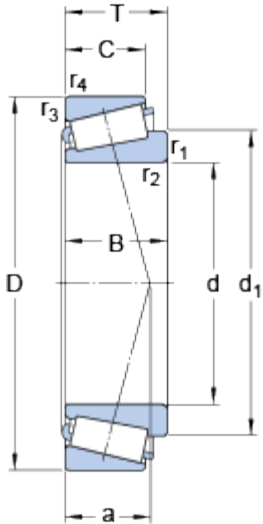
# 30209

Popular item  
SKF Explorer

Dimension series

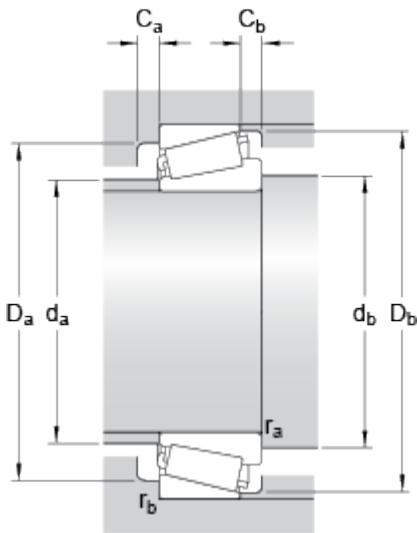
3DB

## Dimensions



d	45	mm
D	85	mm
T	20.75	mm
d <sub>1</sub>	≈ 63.1	mm
B	19	mm
C	16	mm
r <sub>1,2</sub>	min. 1.5	mm
r <sub>3,4</sub>	min. 1.5	mm
a	17.829	mm

## Abutment dimensions



d <sub>a</sub>	max. 54	mm
d <sub>b</sub>	min. 53.5	mm
D <sub>a</sub>	min. 74	mm
D <sub>a</sub>	max. 77.5	mm
D <sub>b</sub>	min. 80	mm
C <sub>a</sub>	min. 3	mm
C <sub>b</sub>	min. 4.5	mm
r <sub>a</sub>	max. 1.5	mm
r <sub>b</sub>	max. 1.5	mm

## Calculation data

Basic dynamic load rating	C	81.6	kN
Basic static load rating	C <sub>0</sub>	76.5	kN
Fatigue load limit	P <sub>u</sub>	8.65	kN
Reference speed		6300	r/min
Limiting speed		8000	r/min
Calculation factor	e	0.4	

Calculation factor	Y	1.5
Calculation factor	Y <sub>0</sub>	0.8

---

**Mass**

Mass bearing	0.47	kg
--------------	------	----

---