

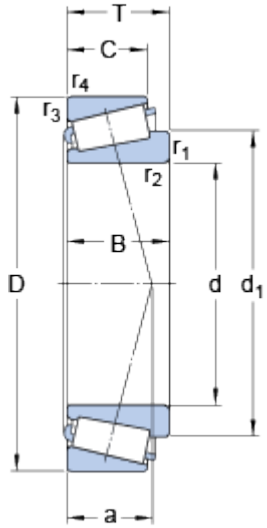
25580/25520

SKF Explorer

Dimension series

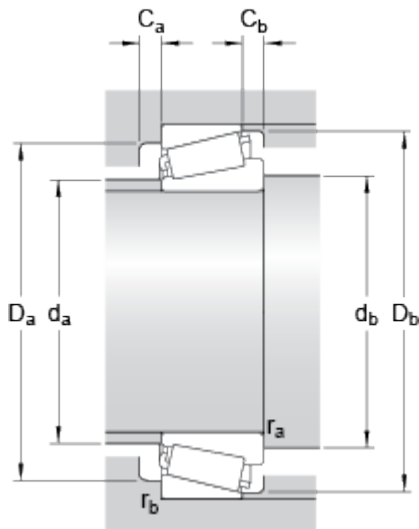
25500

Dimensions



d	44.45	mm
D	82.931	mm
T	23.812	mm
d ₁	≈ 62.2	mm
B	25.4	mm
C	19.05	mm
r _{1,2}	min. 3.5	mm
r _{3,4}	min. 0.8	mm
a	16.993	mm

Abutment dimensions



d _a	max. 53	mm
d _b	min. 57	mm
D _a	min. 71	mm
D _a	max. 76.5	mm
D _b	min. 76	mm
C _a	min. 5	mm
C _b	min. 4.5	mm
r _a	max. 3.5	mm
r _b	max. 0.8	mm

Calculation data

Basic dynamic load rating	C	99.1	kN
Basic static load rating	C ₀	106	kN
Fatigue load limit	P _u	11.8	kN
Reference speed		6700	r/min
Limiting speed		8000	r/min
Calculation factor	e	0.33	
Calculation factor	Y	1.8	

Calculation factor

Y_0

1

Mass

Mass bearing

0.57

kg
