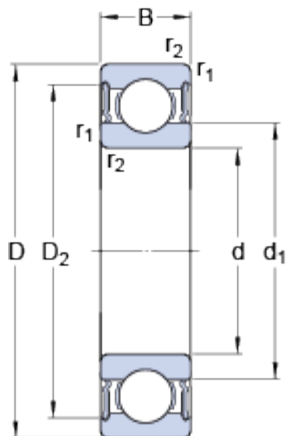


61908-2RS1

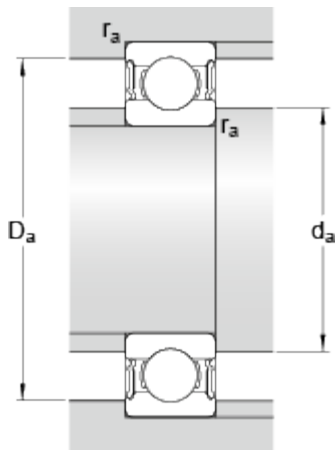
Popular item

Dimensions



B	12	mm
---	----	----

Abutment dimensions



d _a	min.	43.2	mm
d _a	max.	46.8	mm
D _a	max.	58.8	mm
r _a	max.	0.6	mm

Calculation data

Basic dynamic load rating	C	13.8	kN
Basic static load rating	C ₀	10	kN
Fatigue load limit	P _u	0.425	kN
Limiting speed		6700	r/min
Calculation factor	k _r	0.02	
Calculation factor	f ₀	15.6	

Mass

Mass bearing		0.12	kg
--------------	--	------	----