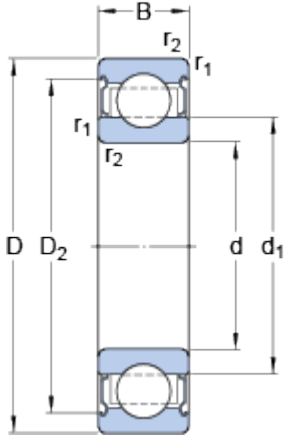


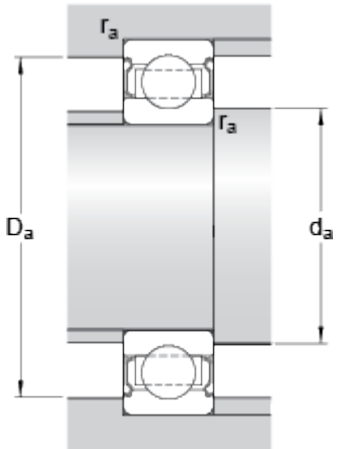
# 6010-2Z/VA208

## Dimensions



d	1.9685	in
D	3.1496	in
B	0.6299	in
d <sub>1</sub>	≈ 2.3524	in
D <sub>2</sub>	≈ 2.8661	in
r <sub>1,2</sub>	min. 0.0394	in

## Abutment dimensions



d <sub>a</sub>	min.	2.1496	in
d <sub>a</sub>	max.	2.3504	in
D <sub>a</sub>	max.	2.9685	in
r <sub>a</sub>	max.	0.0394	in

## Calculation data

Basic dynamic load rating	C	5148	lbf
Basic static load rating	C <sub>0</sub>	3507	lbf
Limiting speed		60	r/min
Limiting temperature	T	max. 660	°F

## Mass

Mass bearing	0.6	lbs
--------------	-----	-----