

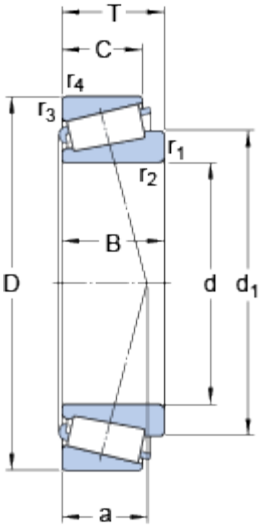
32024 X

Popular item
SKF Explorer

Dimension series

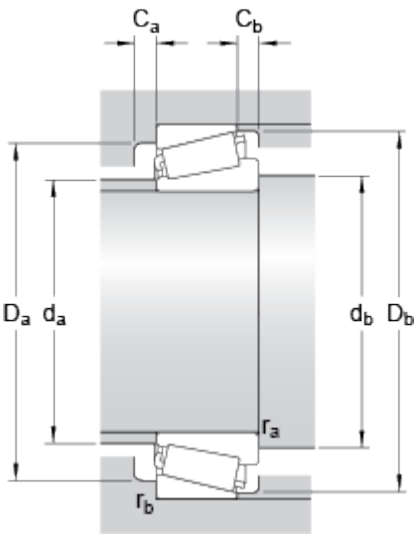
4DC

Dimensions



d	120	mm
D	180	mm
T	38	mm
d_1	≈ 150.67	mm
B	38	mm
C	29	mm
$r_{1,2}$	min. 2.5	mm
$r_{3,4}$	min. 2	mm
a	38.787	mm

Abutment dimensions



d_a	max. 132	mm
d_b	min. 133	mm
D_a	min. 161	mm
D_a	max. 169	mm
D_b	min. 173	mm
C_a	min. 7	mm
C_b	min. 9	mm
r_a	max. 2.5	mm
r_b	max. 2	mm

Calculation data

Basic dynamic load rating	C	299	kN
Basic static load rating	C_0	415	kN
Fatigue load limit	P_u	42.5	kN
Reference speed		2800	r/min
Limiting speed		3400	r/min
Calculation factor	e	0.46	

Calculation factor	Y	1.3
Calculation factor	Y ₀	0.7

Mass

Mass bearing	3.29	kg
--------------	------	----
