

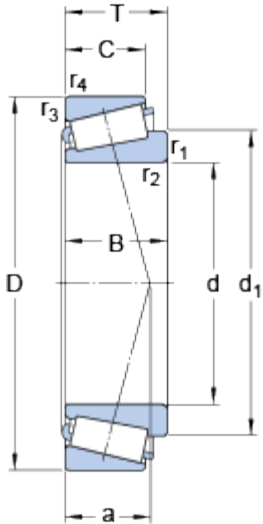
30306

Popular item
SKF Explorer

Dimension series

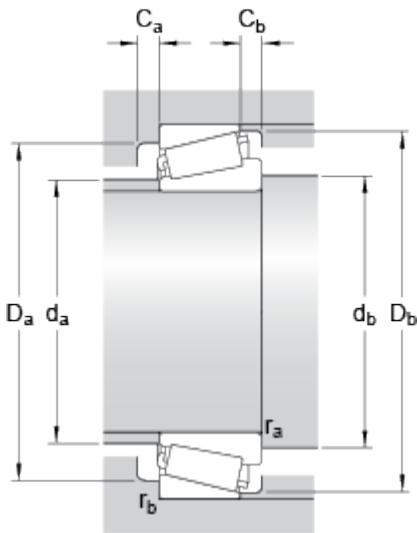
2FB

Dimensions



d	30	mm
D	72	mm
T	20.75	mm
d_1	≈ 48.45	mm
B	19	mm
C	16	mm
$r_{1,2}$	min. 1.5	mm
$r_{3,4}$	min. 1.5	mm
a	14.626	mm

Abutment dimensions



d_a	max. 41	mm
d_b	min. 38	mm
D_a	min. 62	mm
D_a	max. 64.5	mm
D_b	min. 66	mm
C_a	min. 3	mm
C_b	min. 4.5	mm
r_a	max. 1.5	mm
r_b	max. 1.5	mm

Calculation data

Basic dynamic load rating	C	69.2	kN
Basic static load rating	C_0	56	kN
Fatigue load limit	P_u	6.4	kN
Reference speed		8000	r/min
Limiting speed		10000	r/min
Calculation factor	e	0.31	

Calculation factor	Y	1.9
Calculation factor	Y ₀	1.1

Mass

Mass bearing	0.38	kg
--------------	------	----
